



## Specifications

www.macfaucets.com



310.919.3073



866.558.3200



Paramount, CA.



MAC FAUCETS



FA400-1204

### Package Includes

- ✓ Faucet
- ✓ FA400 Automator
- ✓ Stainless Steel Hose
- ✓ Mounting Hardware
- ✓ **Batteries Pre-installed**
- ✓ *All the hardware necessary for satisfactory installation*
- ✓ **Please Note:** Faucet Sold Without Drain

### Featuring

- ✓ Solid Brass Faucet
- ✓ Lead-Free Construction
- ✓ Matching Electronic Soap Dispenser (Optional)
- ✓ Digital Plug and Play System
- ✓ Resin Encased Control Electronics
- ✓ Battery powered, A/C Option
- ✓ Visible Low Battery Indicator
- ✓ **Available in 22 + Finishes**
- ✓ ADA Compliant
- ✓ 0.25 Gallons Per Cycle Compliant



ANSI A112.18.1M  
CSA Standard B125, 1.5 U.S. GPM  
NSF/ANSI/CAN61-2022 **Certified**

### Optional Equipment

- ✓ Matching Soap Dispenser
- ✓ Lavatory Drain, Grid and Push-Push Type
- ✓ Adjustable Under the Sink Mixing Valve A-12910
- ✓ Adjustable Under the Sink Thermostatic Mixing valve JM-2503
- ✓ Matching Hole Cap Cover
- ✓ AC Adapter

### Applications

The model FA400-1204 is ideal for decorative commercial and industrial applications. Although the model 1204 is **ONE OF THE BEST PRICED** electronic faucets available on the market today, this unique faucet is rated **HEAVY DUTY** and features the Faucet Automator model **FA400**. Manufactured to last, the **FA400** employs plug and play digital electronics, hermetically sealed sensor capsule with visible low battery indicator, and employs one of the most reliable **SOLID BRASS** solenoid valves of any electronic faucet.

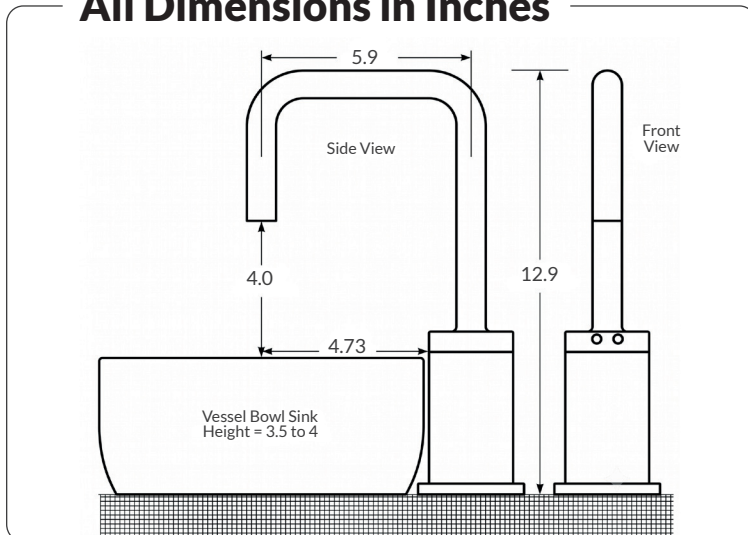
### Notes



### Specifications and Dimensions

MODEL	FA400-1204
<b>Spout:</b>	Lead-Free Solid Brass
<b>Power:</b>	4 (AA) Alkaline Batteries or AC Adapter - Optional AC power
<b>Battery life expectancy:</b>	300,000 cycles
<b>Solenoid valve:</b>	6 Volts magnet latching
<b>Working Water Pressure:</b>	1 PSI - 100 PSI
<b>Supply Inlet Size:</b>	1/2" NPT Male
<b>Water Temperature Control:</b>	Optional - Choose MAC no. A-12910 Mechanical Mixing Valve
	Optional - Choose MAC no. JM-2503 Thermostatic Mixing Valve
<b>Sink Drain:</b>	Optional - Many to choose From
<b>Electronic Soap Dispenser:</b>	Optional - We Recommend PYOS-1204 Electronic Soap Dispenser
<b>Sensor Microprocessor:</b>	Digital, Plug and Play
<b>Sensing Range:</b>	2" to 8"
<b>Response Time:</b>	0.3 Second
<b>Shut-Off Delay Time:</b>	3 Second
<b>Maximum Running Time:</b>	30 Seconds
<b>Particle filter size:</b>	50 Mesh
<b>Aerator:</b>	1.5 GPM. Optional 0.5 GPM, 0.35 GPM

### All Dimensions in Inches



### Rough-in

