



Tissue Holder, Round Style

Model: TH-2

Specifications



TH-2



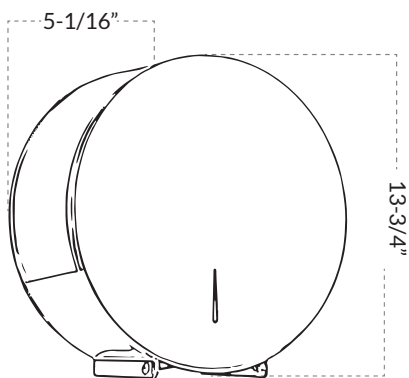
Package Includes

- ✓ Toilet Paper Dispenser (Stainless Steel)
- ✓ Wall Mounting
- ✓ Jumbo Size / Toilet Paper
- ✓ Mounting Hardware
- ✓ All hardware necessary for satisfactory installation

01 Featuring

- ✓ 201 Stainless Steel Construction
- ✓ For Jumbo size of toilet paper
- ✓ Vandal-proof Case
- ✓ Matching finishes available

All Dimensions in Inches



Specifications and Dimensions

MODEL	TH-2
Body:	201 Stainless Steel
Type:	Manual
Max paper Size:	12-9/16" Diameter x 3-15/16" wide
Mounting:	Wall Mount
Application:	Public or Household
Finishes:	Available in Matching Finishes

Notes