



Specifications



AHD-5



Package Includes

- ✓ HEPA filter
- ✓ Voltage / AC 110-120V / Single-phase
- ✓ Input / 1200-1450W
- ✓ Heating Power / 650-750W
- ✓ All hardware necessary for satisfactory installation

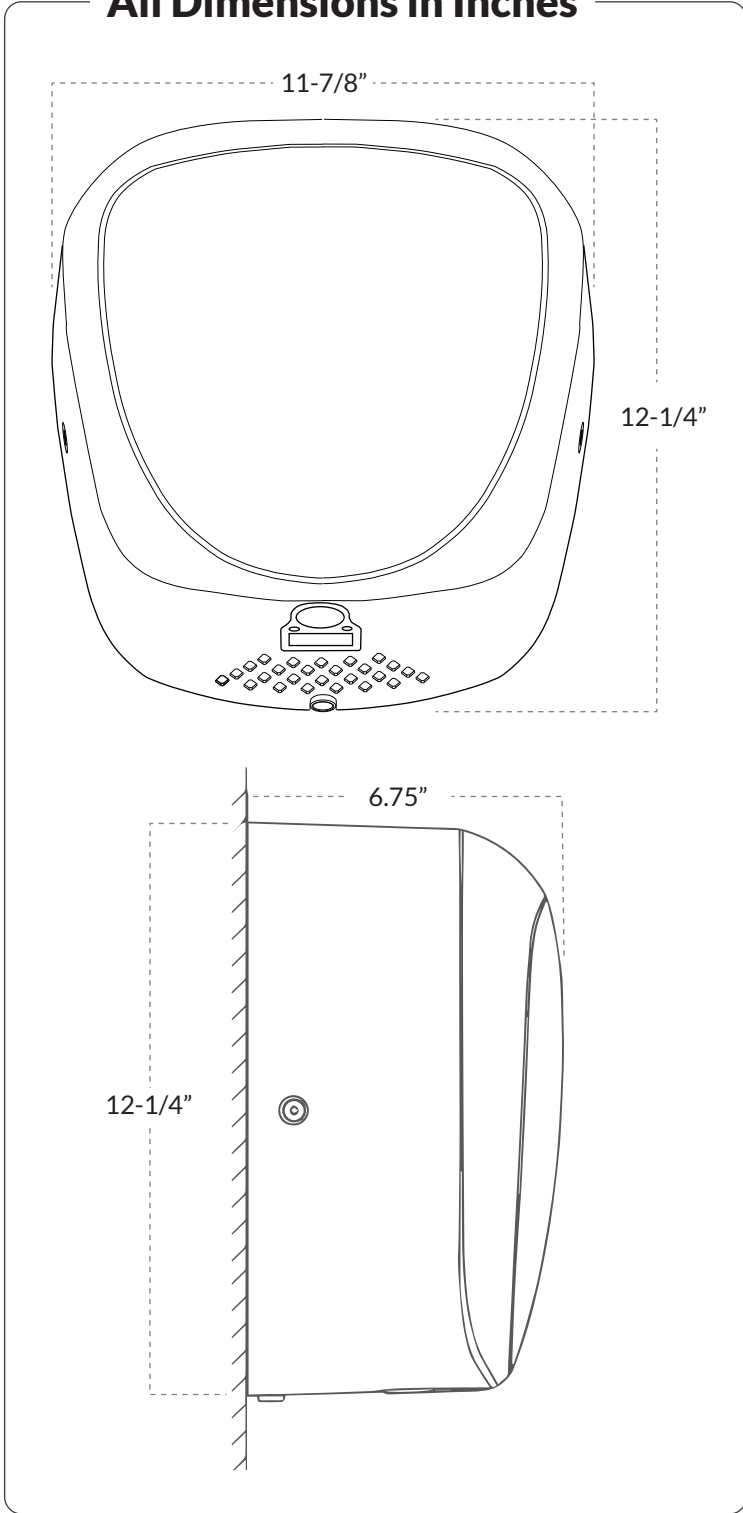
01 Featuring

- ✓ 0-15 seconds dry time, quick dry for your hands
- ✓ 80% less energy than conventional hand dryers
- ✓ HEPA Filtration System proven to remove 99.97% of potentially bacteria
- ✓ 304 stainless steel one-piece molded cover, stable and durable
- ✓ Smart Heater adjust based on environment temperature, LED indicator
- ✓ CE/UL approval electric parts and overtime protection, quality and safe
- ✓ 45 seconds overtime protection and over heat protection
- ✓ 83 db Noise
- ✓ **Available in Twenty + Matching Finishes**

Specifications and Dimensions

MODEL	AHD-5
Voltage:	110 - 120 ACV
Phase:	Single-Phase
Input:	1200 - 1450W
Heating Power:	650 - 750W
Sensor Type:	Active Infrared
Sensing Range:	6" - 8"
Motor:	Brush Motor
Wind Speed:	70 M/s
Protection Class:	IPX1
Finishes:	Available in Twenty + Matching Finishes

All Dimensions in Inches



MAC FAUCETS

When Style Matters



AHD-5

UL CE CB RoHS FC GS CCC



Notes

Blank area for notes.