



Specifications



FA-3460



LEAD FREE



Package Includes

- ✓ Faucet
- ✓ Solenoid Valve
- ✓ Stainless Steel Hose
- ✓ Mounting Hardware
- ✓ **Batteries Pre-installed**
- ✓ *All the hardware necessary for satisfactory installation*
- ✓ **Please Note:** Faucet Sold Without Drain

Featuring

- ✓ Solid Brass Faucet
- ✓ Lead-Free Construction
- ✓ Matching Electronic Soap Dispenser (Optional)
- ✓ Digital Plug and Play System
- ✓ Resin Encased Control Electronics
- ✓ Battery powered, A/C Option
- ✓ Visible Low Battery Indicator
- ✓ **Available in 22 + Finishes**
- ✓ ADA Compliant
- ✓ Vandal Resistant



ANSI A112.18.1M
CSA Standard B125, 1.5 U.S. GPM
NSF/ANSI/CAN61-2022 **Certified**

Optional Equipment

- ✓ Matching Soap Dispenser
- ✓ Lavatory Drain, Grid and Push-Push Type
- ✓ Deck Plates for 4" and 8" Center Sinks
- ✓ Adjustable Under the Sink Mixing Valve
- ✓ Matching Hole Cap Cover
- ✓ AC Power

Applications

The model FA-3460 is ideal for decorative commercial and industrial applications. This unique faucet is rated **HEAVY DUTY** and, employs plug-and-play digital electronics, a hermetically sealed sensor capsule with a visible low battery indicator, as well as one of the most reliable solenoid valves of any electronic faucet.

Notes

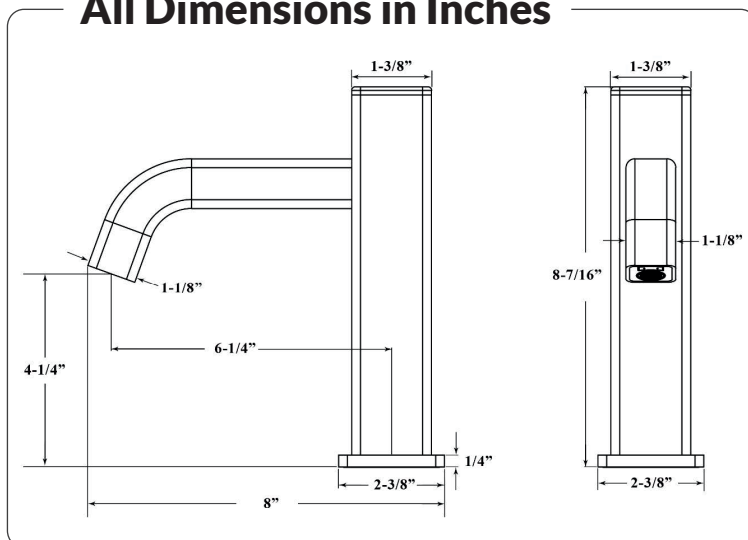




Specifications and Dimensions

MODEL	FA-3460
Spout:	Lead-Free Solid Brass
Power:	4 (AA) Alkaline Batteries or AC Adapter - Optional AC power
Battery life expectancy:	300,000 cycles
Solenoid valve:	6 Volts magnet latching
Working Water Pressure:	1 PSI - 100 PSI
Supply Inlet Size:	1/2" NPT Male
Water Temperature Control:	Optional - Choose MAC no. A-12910
Sink Drain:	Optional - Many to choose From
Electronic Soap Dispenser:	Optional - We Recommend PYOS-3400 Electronic Soap Dispenser
Sensor Microprocessor:	Digital, Plug, and Play
Sensing Range:	2" to 6"
Response Time:	0.6 Second
Shut-Off Delay Time:	3 Second
Maximum Running Time:	30 Seconds
Particle filter size:	50 Mesh
Aerator:	1.5 GPM. Optional 0.5 GPM

All Dimensions in Inches



Rough-in

