

MAC FAUCETS

When Style Matters

Specifications



Industry Autoluxe Faucet

Model: FA43-124-7



FA-FA43-124-7



Package Includes

- ✓ Faucet
- ✓ FA43-124-7 Automator
- ✓ Stainless Steel Hose
- ✓ Mounting Hardware
- ✓ **Batteries Pre-installed**
- ✓ All the hardware necessary for satisfactory installation
- ✓ **Please Note:** Faucet Sold Without Drain

Featuring

- ✓ Solid Brass Faucet
- ✓ Lead-Free Construction
- ✓ Matching Electronic Soap Dispenser (Optional)
- ✓ Digital Plug and Play System
- ✓ Resin Encased Control Electronics
- ✓ Battery powered, A/C Option
- ✓ Visible Low Battery Indicator
- ✓ **Available in 22 + Finishes**
- ✓ ADA Compliant
- ✓ Vandal Resistant



ANSI A112.18.1M
CSA Standard B125, 1.5 U.S. GPM
NSF/ANSI/CAN61-2022 **Certified**

Optional Equipment

- ✓ Matching Soap Dispenser
- ✓ Lavatory Drain, Grid and Push-Push Type
- ✓ Adjustable Under the Sink Mixing Valve
- ✓ AC Power

Applications

The model FA43-124-7 is ideal for decorative commercial and industrial applications. Although the model 124 is **ONE OF THE BEST PRICED** electronic faucets available on the market today, this unique faucet is rated **HEAVY DUTY** and features the Faucet Automator model **FA43**, Manufactured to last, the **FA43** employs plug and play digital electronics, hermetically sealed sensor capsule with visible low battery indicator, and employs one of the most reliable **SOLID BRASS** solenoid valves of any electronic faucet.

Notes

www.macfaucets.com



310.919.3073



866.558.3200



Paramount, CA.



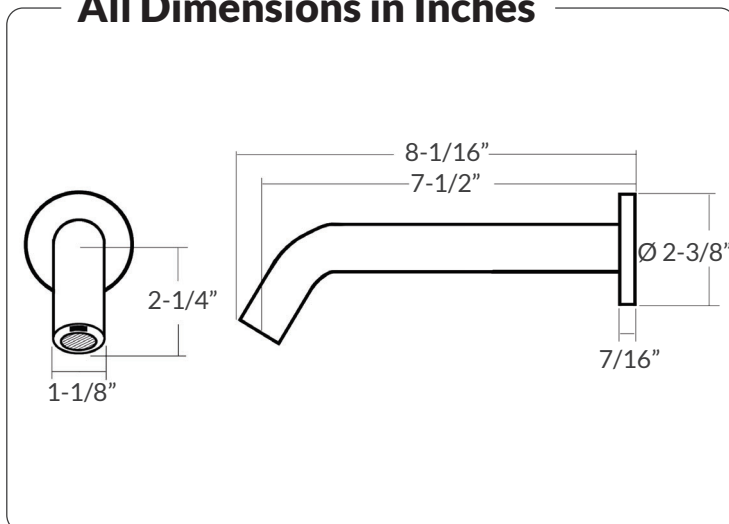
MAC FAUCETS



Specifications and Dimensions

| MODEL | FA43-124-7 |
|-----------------------------------|---|
| Spout: | Lead-Free Solid Brass |
| Power: | 4 (AA) Alkaline Batteries or AC Adapter - Optional AC power |
| Battery life expectancy: | 300,000 cycles |
| Solenoid valve: | 6 Volts magnet latching |
| Working Water Pressure: | 1 PSI -100 PSI |
| Supply Inlet Size: | 1/2" NPT Male |
| Water Temperature Control: | Optional - Choose MAC no. A-12910 |
| Sink Drain: | Optional - Many to choose From |
| Electronic Soap Dispenser: | Optional - We Recommend PYOS-L124 Electronic Soap Dispenser |
| Sensor Microprocessor: | Digital, Plug, and Play |
| Sensing Range: | 6-1/2" not adjustable |
| Response Time: | 0.6 Second |
| Shut-Off Delay Time: | 3 Second |
| Maximum Running Time: | 30 Seconds |
| Particle filter size: | 50 Mesh |
| Aerator: | 1.5 GPM. Optional 0.5 GPM |

All Dimensions in Inches



Rough-in

Refer to installation Manual

1-1/4" Hole for Faucet

