



MAC FAUCETS

When Style Matters

FA43-124-7 INSTALLATION MANUAL



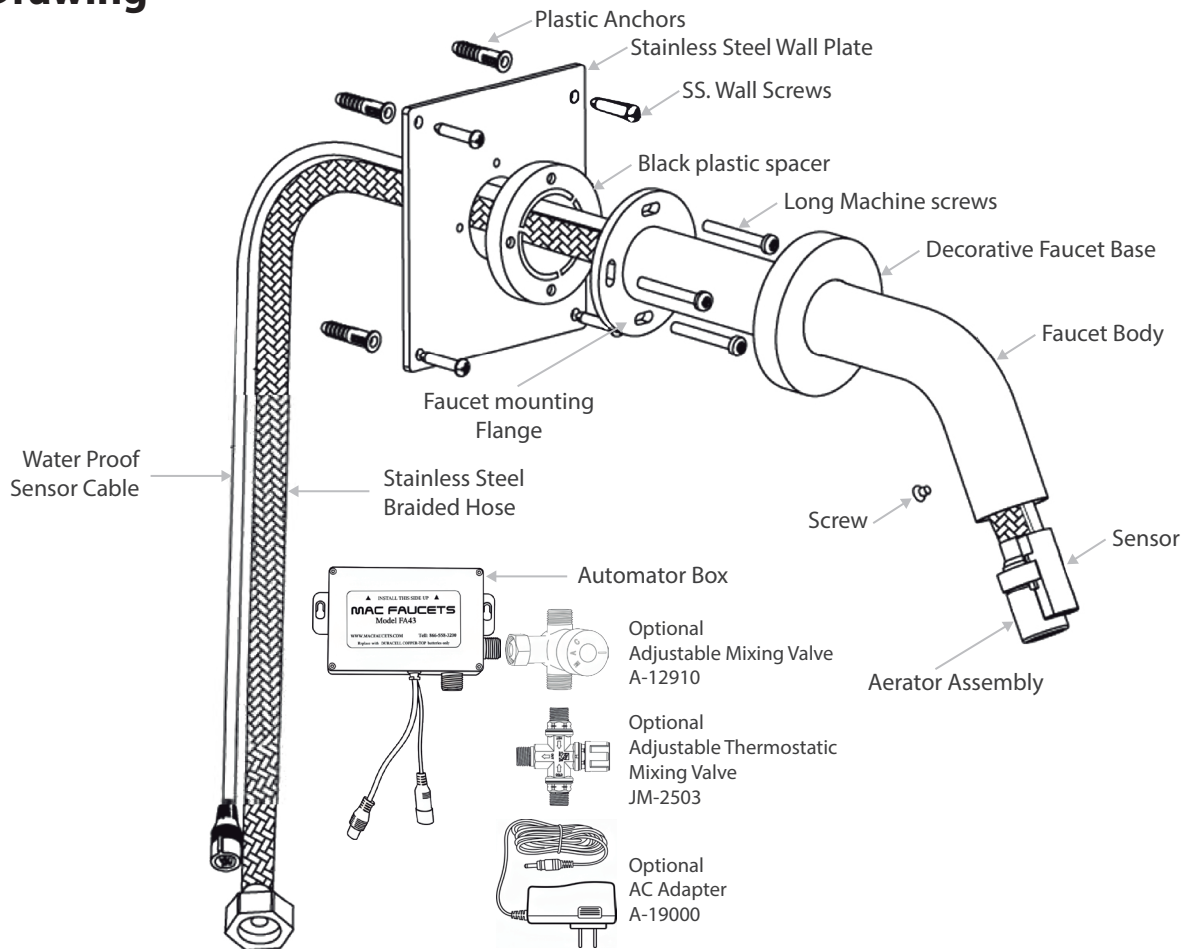
Model
Automatic Wall
Mounted Faucet

MAC FAUCETS Products

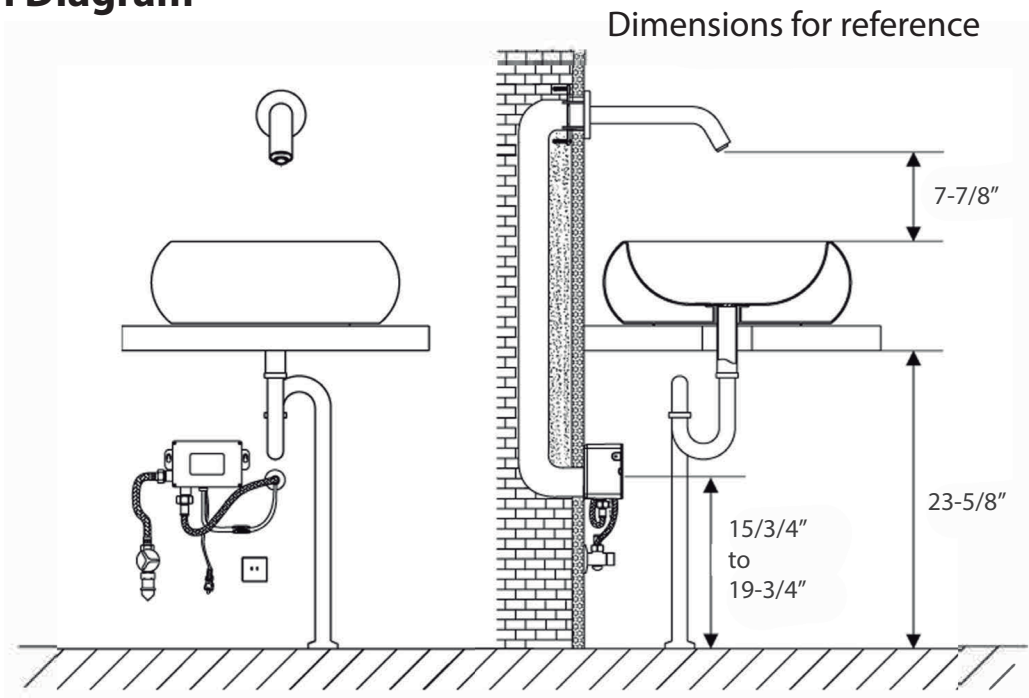
☎ 866 558 3200 ✉ info@macfaucets.com

www.macfaucets.com

Parts Drawing

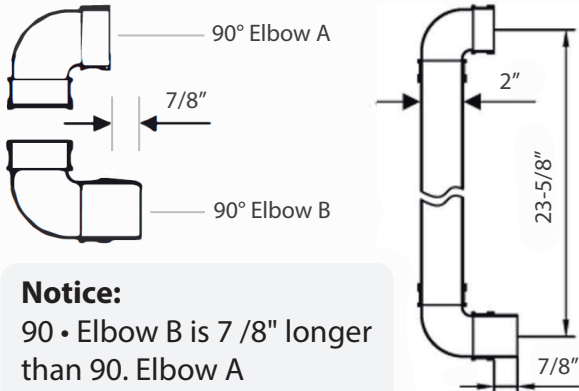


Instruction Diagram

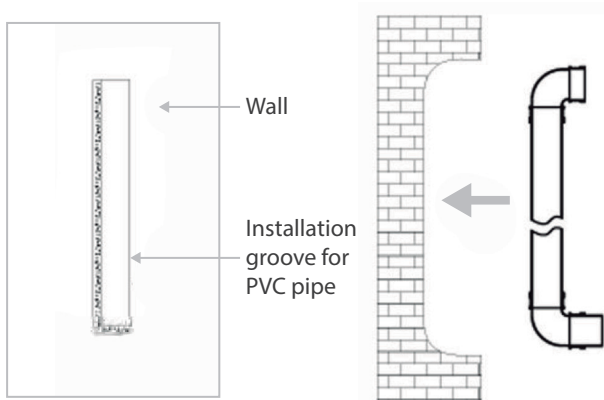


Installation Instruction

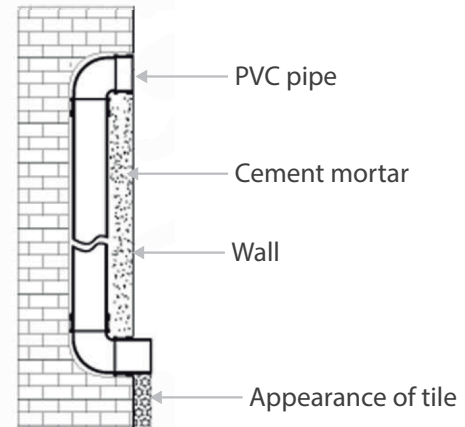
- 1 Create a PVC Pipe Assembly by connecting both ends of a 2" PVC straight pipe with two 90° elbow pipe fittings. Length of PVC pipe assembly ~ 23-5/8" to 24" C to C. The final decision regarding length is determined by installation needs.



- 2 Cement wall: Prepare wall for receiving the 2" PVC Pipe Assembly discussed above. Plaster wall: Install the PVC pipe assembly in the wall. Cut 2 holes in the board for the elbows. Install the board to cover the PVC pipe assembly.

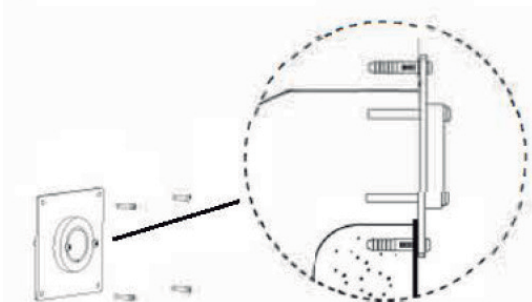
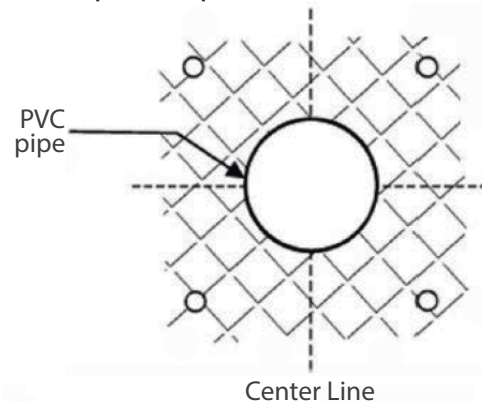


Note: The bottom elbow ONLY should have a short piece of 2" straight pipe glued to it. This small piece should stick out about 1" outside of the wall. Top elbow should be installed flush with the wall.



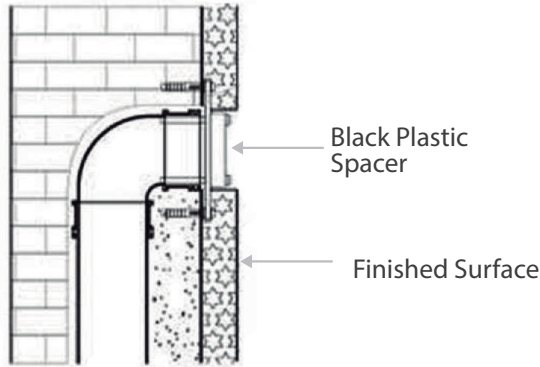
- 3 Mount SS wall plate to wall using the supplied screws. The plate **MUST BE** straight.

- 4 Fasten black plastic spacer to SS wall plate using two long machine screws (supplied). Apply finish surface around black plastic spacer.

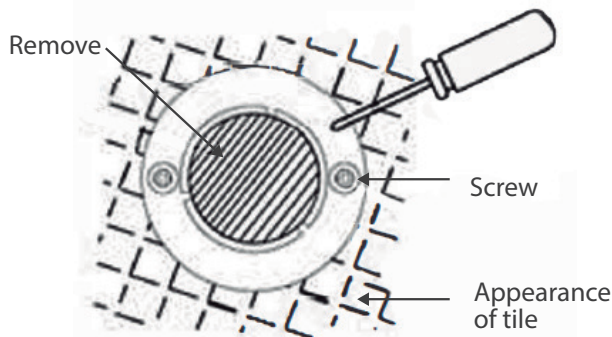


Important: Finish surface **MUST BE** flat, smooth, and even.

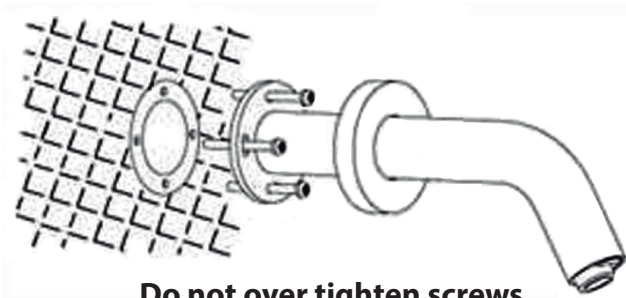
- 5** After the surface finish has been set (or dry), remove the 2 long machine screws. **DO NOT DISCARD SCREWS**, you will need them to fasten the faucet.



- 6** Punch out the center of the Black disc to make room for hose and wires (dashed area in the figure).



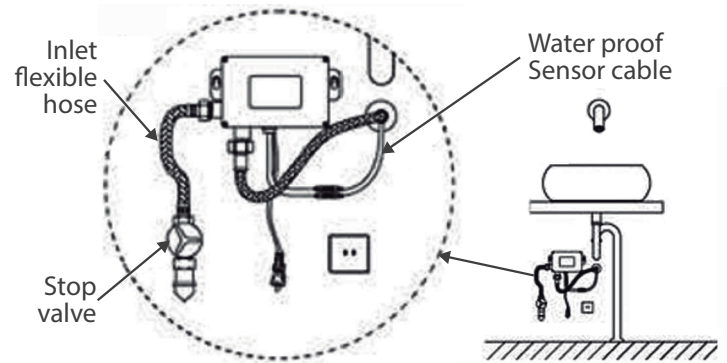
- 7** Insert faucet hose and waterproof connector into the hole in the black plastic disc, and down the PVC pipe assembly. Then use ALL 4 long machine screws to affix faucet to SS wall plate. Make sure that the faucet is straight before sliding decorative faucet base against wall.



**Do not over tighten screws.
Avoid damaging finish.**

- 8** Connect the inlet hose and faucet hose to the control box. **Make sure that no objects are present inside the sink** before connecting sensor cable as shown below (push into place). Faucet hose connects to the bottom side.

- 9** Connect water inlet hose to the left side of the box as shown below.



Important:

**Do not connect to hot water source only.
Make sure the water source is cold or tempered water.**

Limited Warranty

Mac Faucets warrant this faucet to be free of defects for a period of one year from date of purchase. Mac Faucets will replace, free of charge, during this warranty period, parts that prove defective when properly installed and under normal use and service. Damage that occurs as a result of abuse, improper installation, environmental conditions, or improper application will void this warranty. Products must be shipped with postage and handling prepaid, along with dated proof of purchase. This warranty does not cover installation or any other labor charges. It does not cover shipping and handling of both replacement parts and returned defective parts. Products or components that have been altered or in any way modified will not be covered under this warranty. Replacement parts are under warranty only for the remaining period under the initial warranty. Some states do not allow for exclusion of incidental or consequential damage.