

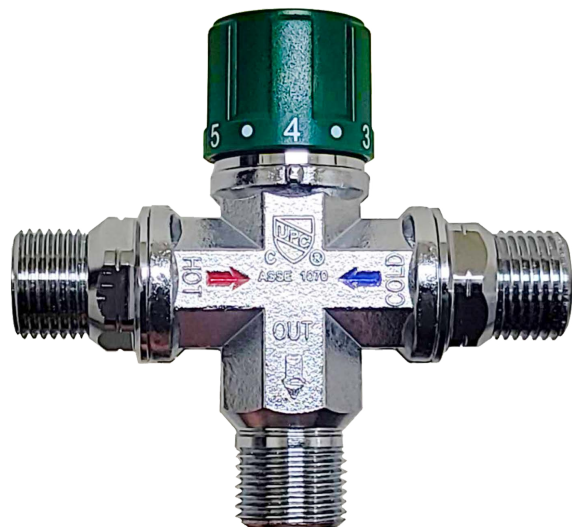
Sold Exclusively By:
MAC FAUCETS
 When Style Matters



Seaman

Thermostatic Mixing Valve: JM-2503

Specifications



JM-2503

ASSE 1070 / CSA B125.3

Package Includes

- ✓ 1/2" NPS Thermostatic Mixing valve
- ✓ All hardware necessary for satisfactory installation



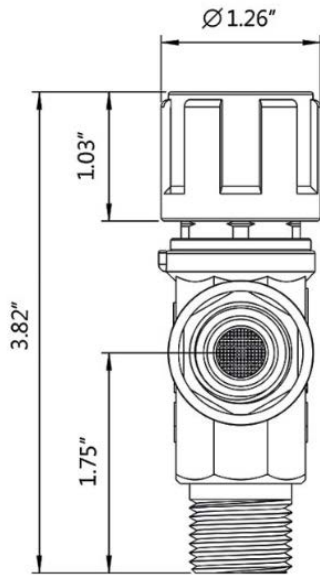
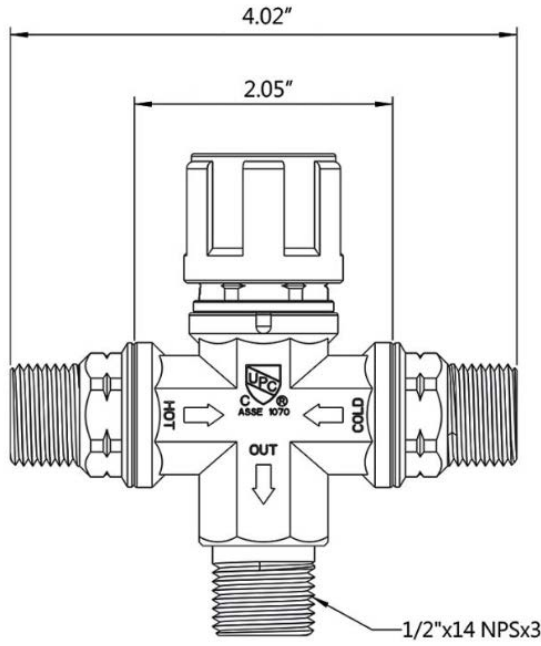
01 Featuring

- ✓ Valve Body No Lead Brass Material
- ✓ Vernet Motor
- ✓ Connection: 2 In and 1 Out 1/2 NPS
- ✓ Neoperl Check valves
- ✓ Stainless Steel Screen Filters in both Inlets
- ✓ Designed for Quick and easy Installation in both, new and existing systems
- ✓ Thermostat to regulate the water temperature
- ✓ Maintaining a set temperature even with pressure fluctuations.

Specifications and Dimensions

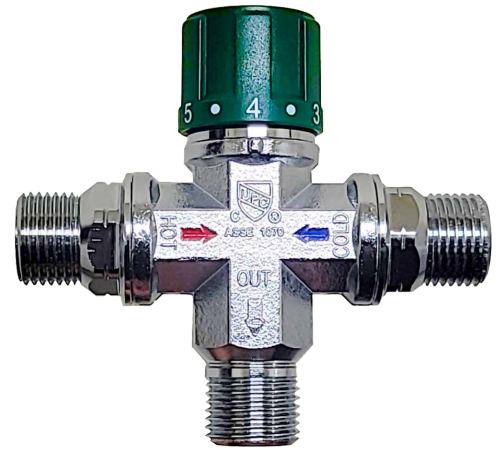
MODEL	JM-2503
Temperature Settings Range:	68 °F~120 °F (20 °C~48.9 °C)
Temperature Stability:	±3 °F (±1.8 °C)
Minimum Operating Pressure:	7.3psi (0.5kg/cm ²)
Maximum Operating Pressure (Dynamic) :	125psi (8.8kg/cm ²)
Maximum Operating Pressure (Static) :	125psi (8.8kg/cm ²)
Water Pressure Differential Range:	20%
Maximum Inlet Temperature:	185 ° F (85 ° C)
Factory Settings Temperature:	100 ° F (38 ° C)
Flow Rate at 45 psi	4GPM (15L/min)
Flow Rate at 60 psi (4.1 kg cm ²)	5GPM (19L/min)

All Dimensions in Inches



Seaman

When Style Matters



JM-2503

Notes